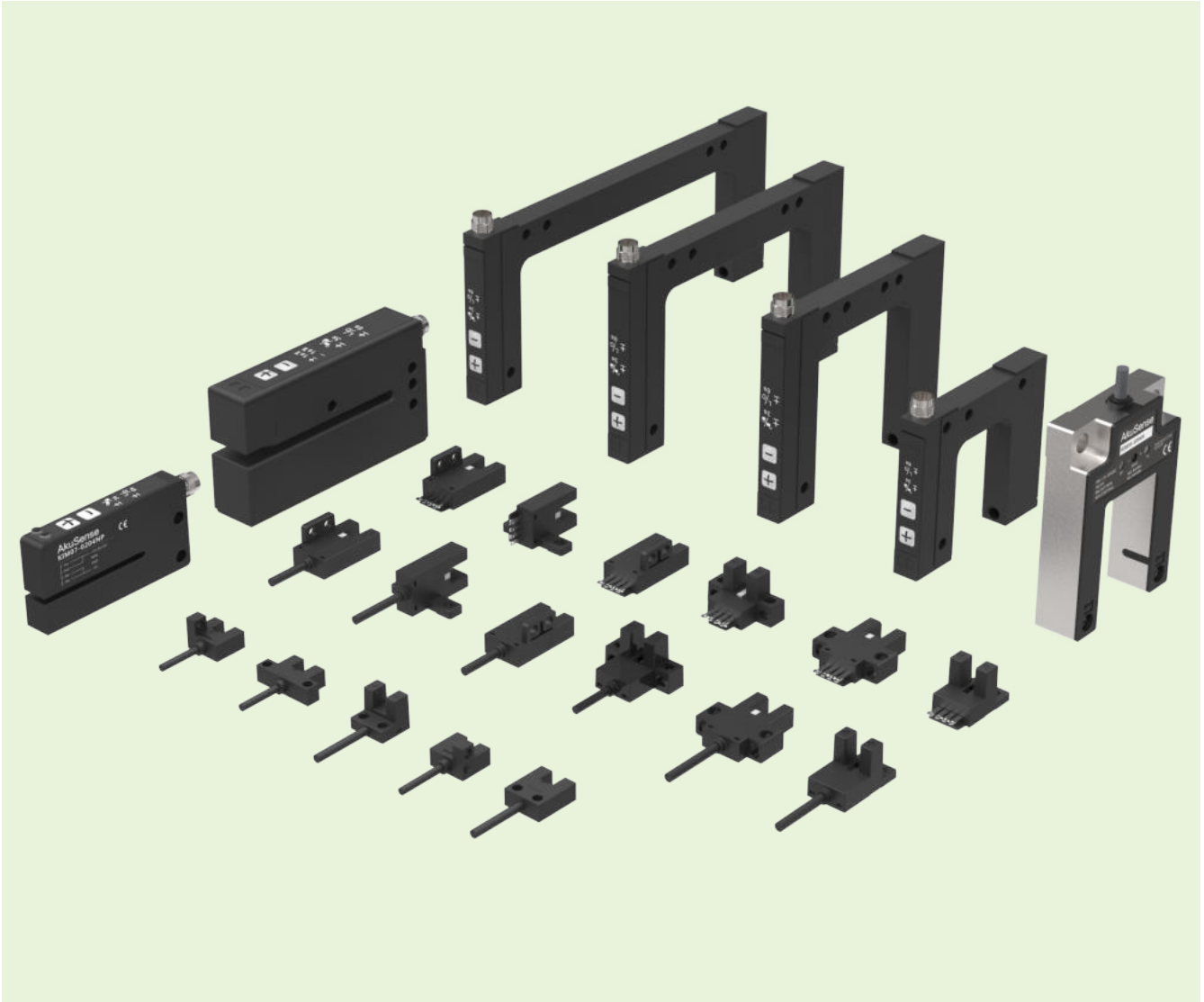


# Slot Type Sensors

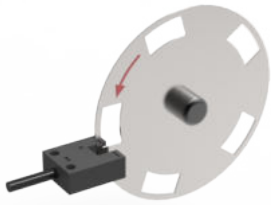


- Rich product line, slot width ranges from 5mm to 120mm
- (Micro) slot type products can perfectly substitute the major brand products.
- Label sensor have standard teaching function, can stable detect various types of labels
- Can be customized according to customer needs, such as oil resistance, drag chain requirements

- Fiber Optic
- Slot Sensors
- Photoelectric
- Laser
- Proximity
- Displacement
- Magnetic
- Contact
- Area
- Ultrasonic
- Vision
- Vibration
- Temperature
- Annexes

Guidance

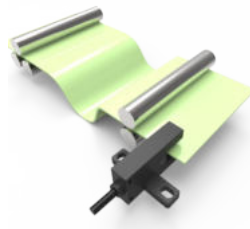
- Slot type sensors
- Micro slot type
- Slot type
- Wide slot type
- Label detection



**Micro Slot Type**

- Newly developed products, competitive price and good quality
- Derived from Japanese advanced technology, excellent performance
- 6.5mm slot depth (effectively prevents detected objects from hitting the bottom of the slots)

P.B-04



**HOT**

**Slot Type**

- Available in pre-wired and connector type, 12 specifications such as F/T/R/L/K.T for option
- NO/NC output (easy wiring)
- 8.5 mm slot depth ( prevents detected objects from hitting the bottom of the slot in a maximum level)

P.B-06

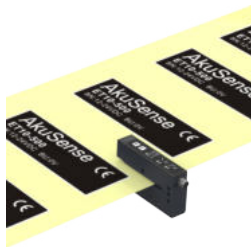


NPN and PNP in one

**Wide Slot Type**

- NPN and PNP output switch freely
- Provide laser and infrared light sources according to different needs
- Various wide slots are available, 30mm, 50mm, 80mm, 120mm, etc.

P.B-10



**Label Detection Type**

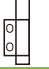

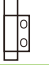




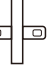




- Stably detect 2mm gap or 2mm length/width labels
- With two-point and single-point teaching function
- Infrared detection and ultrasonic detection are available

P.B-12

**Micro Slot Type**

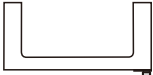
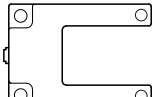
| Series                  | Appearance | Slot width | Model number      |                   | Pages                 |            |      |
|-------------------------|------------|------------|-------------------|-------------------|-----------------------|------------|------|
|                         |            |            | NPN Normally open | PNP Normally open |                       |            |      |
| Micro slot type(4-wire) |            | K shape    | 5mm               | D.on/ L.on        | SK-206NA-W            | SK-206PA-W | B-04 |
|                         |            | L shape    | 5mm               | D.on/ L.on        | SL-205NA-W <b>HOT</b> | SL-205PA-W |      |
|                         |            | F shape    | 5mm               | D.on/ L.on        | SF-202NA-W            | SF-202PA-W |      |
|                         |            | R shape    | 5mm               | D.on/ L.on        | SR-204NA-W            | SR-204PA-W |      |
|                         |            | U shape    | 5mm               | D.on/ L.on        | SU-201NA-W            | SU-201PA-W |      |

## Slot Type



| Series                     | Appearance  | Slot width | Model number           |   | Pages      |            |      |
|----------------------------|---|------------|------------------------|---|------------|------------|------|
|                            |   |            | When detecting objects | NPN Normally open&Normally closed / PNP Normally open&Normally closed |            |            |      |
| Slot type(Pre-wired)       |    | F shape    | 5mm                    | Light on when detecting object  | SF-302N-W  | SF-302P-W  | B-06 |
|                            |   |            |                        | Light off when detecting object                                       | SF-302NA-W | SF-302PA-W |      |
|                            |    | T shape    | 5mm                    | Light on when detecting object  | ST-303N-W  | ST-303P-W  |      |
|                            |   |            |                        | Light off when detecting object                                       | ST-303NA-W | ST-303PA-W |      |
|                            |    | R shape    | 5mm                    | Light on when detecting object  | SR-304N-W  | SR-304P-W  |      |
|                            |   |            |                        | Light off when detecting object                                       | SR-304NA-W | SR-304PA-W |      |
|                            |    | L shape    | 5mm                    | Light on when detecting object  | SL-305N-W  | SL-305P-W  |      |
|                            |   |            |                        | Light off when detecting object                                       | SL-305NA-W | SL-305PA-W |      |
|                            |    | K shape    | 5mm                    | Light on when detecting object  | SK-306N-W  | SK-306P-W  |      |
|                            |   |            |                        | Light off when detecting object                                       | SK-306NA-W | SK-306PA-W |      |
|                            |    | Y shape    | 5mm                    | Light on when detecting object  | SY-307N-W  | SY-307P-W  |      |
|                            |   |            |                        | Light off when detecting object                                       | SY-307NA-W | SY-307PA-W |      |
| Slot type (Connector type) |    | F shape    | 5mm                    | Light on when detecting object  | SF-302N-E  | SF-302P-E  | B-08 |
|                            |   |            |                        | Light off when detecting object                                       | SF-302NA-E | SF-302PA-E |      |
|                            |    | T shape    | 5mm                    | Light on when detecting object  | ST-303N-E  | ST-303P-E  |      |
|                            |   |            |                        | Light off when detecting object                                       | ST-303NA-E | ST-303PA-E |      |
|                            |    | R shape    | 5mm                    | Light on when detecting object  | SR-304N-E  | SR-304P-E  |      |
|                            |   |            |                        | Light off when detecting object                                       | SR-304NA-E | SR-304PA-E |      |
|                            |  | L shape    | 5mm                    | Light on when detecting object  | SL-305N-E  | SL-305P-E  |      |
|                            |   |            |                        | Light off when detecting object                                       | SL-305NA-E | SL-305PA-E |      |
|                            |  | K shape    | 5mm                    | Light on when detecting object  | SK-306N-E  | SK-306P-E  |      |
|                            |   |            |                        | Light off when detecting object                                       | SK-306NA-E | SK-306PA-E |      |
|                            |  | Y shape    | 5mm                    | Light on when detecting object  | SY-307N-E  | SY-307P-E  |      |
|                            |   |            |                        | Light off when detecting object                                       | SY-307NA-E | SY-307PA-E |      |

■ Remark: Standard 2 or 4m cable, cable length is customizable

## Wide Slot Type

| Series | Appearance  | Slot width | Output mode           | Model number | Pages |
|--------|---|------------|-----------------------|--------------|-------|
| KLM    |  | 30mm       | NPN & PNP dual output | KLM06-0304NP | B-10  |
|        |   | 50mm       |                       | KLM06-0506NP |       |
|        |   | 80mm       |                       | KLM06-0806NP |       |
|        |   | 120mm      |                       | KLM06-1206NP |       |
| KIM    |  | 30mm       | NPN D.on/L.on         | KIM30-0304N  | B-11  |
|        |   | 30mm       | PNP D.on/L.on         | KIM30-0304P  |       |

## Label Detection

| Series | Appearance  | Slot width | Min length of label | Model number |             | Pages |
|--------|---|------------|---------------------|--------------|-------------|-------|
|        |   |            |                     | NPN          | PNP         |       |
| KIM    |  | 3mm        | 2mm                 | KIM07-0204NP |             | B-12  |
| KUM    |  | 3mm        | 2mm                 | KUM08-0307N  | KUM08-0307P | B-13  |

- Fiber Optic
- Slot Sensors
- Photoelectric
- Laser
- Proximity
- Displacement
- Magnetic
- Contact
- Area
- Ultrasonic
- Vision
- Vibration
- Temperature
- Annexes

- Guidance
- Slot type sensors
- Mirco slot type
- Slot type
- Wide slot type
- Label detection

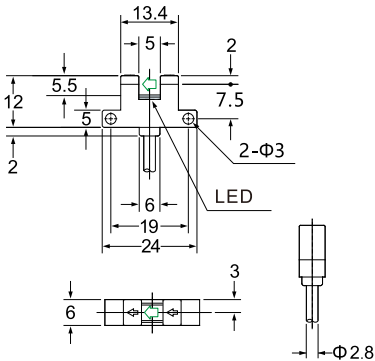
|                         |   |   |   |   |   |                   |
|-------------------------|---|---|---|---|---|-------------------|
| Appearance              |  |  |  |  |  |                   |
| Shape                   | K shape   | L shape   | F shape   | R shape   | U shape   |                   |
| Sensing distance        | 5mm (Slot width)  |   |   |   |   |                   |
| Standard sensing object | Opaque objects (Size: > 1.2*1.8mm)  |   |   |   |   |                   |
| Repeat accuracy         | < 0.03mm  |   |   |   |   |                   |
| Output type             | NPN or PNP open-collector   |   |   |   |   |                   |
| Switch type             | Selectable L.on/D.on  |   |   |   |   |                   |
| Indicator               | Light off when objects are detected; light on when no objects are detected        |   |   |   |   |                   |
| Response frequency      | 3KHz  |   |   |   |   |                   |
| Light source            | Infrared LED (940nm)  |   |   |   |   |                   |
| Operating voltage       | 5~24V DC  |   |   |   |   |                   |
| Voltage drop            | < 1V(Load current 50mA)   |   |   |   |   |                   |
| Current brightness      | ≤ 16mA  |   |   |   |   |                   |
| Protective circuit      | Surge protection , Reverse polarity protection                                    |   |   |   |   |                   |
| Ambient brightness      | Incandescent lamp < 1000 Lux  |   |   |   |   |                   |
| Ambient temperature     | Operation: -25°C~+55°C, Storage: -30°C~+80°C, no freezing                         |   |   |   |   |                   |
| Ambient humidity        | Operation: 5%~85%, Storage: 5%~95%, no condensation                               |   |   |   |   |                   |
| Withstand voltage       | AC, 1000V for 1 minute, between all power connection terminals and housing        |   |   |   |   |                   |
| Anti-vibration          | 10 to 55 Hz with 1.5mm amplitude for 2 hours each in X, Y, and Z directions       |   |   |   |   |                   |
| Insulation resistance   | 20MΩ or more between all power connection terminals and housing (based on DC250V) |   |   |   |   |                   |
| Degree of protection    | IP50  |   |   |   |   |                   |
| Material                | ABS   |   |   |   |   |                   |
| Connection method       | 2M 4core cable  |   |   |   |   |                   |
| Model No.               | NPN   | <b>SK-206NA-W</b>   | <b>SL-205NA-W</b> <span style="color:red">HOT</span>                              | <b>SF-202NA-W</b>   | <b>SR-204NA-W</b>   | <b>SU-201NA-W</b> |
|                         | PNP   | <b>SK-206PA-W</b>   | <b>SL-205PA-W</b>   | <b>SF-202PA-W</b>   | <b>SR-204PA-W</b>   | <b>SU-201PA-W</b> |

- Fiber Optic
- Slot Sensors
- Photoelectric
- Laser
- Proximity
- Displacement
- Magnetic
- Contact
- Area
- Ultrasonic
- Vision
- Temperature
- Annexes

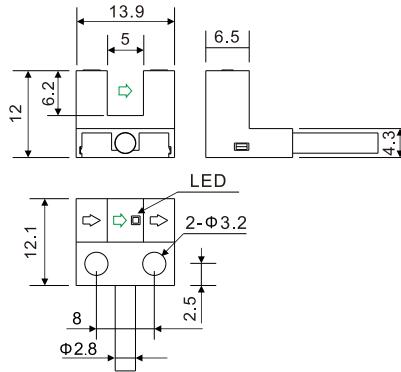
## Dimensions

Unit: mm

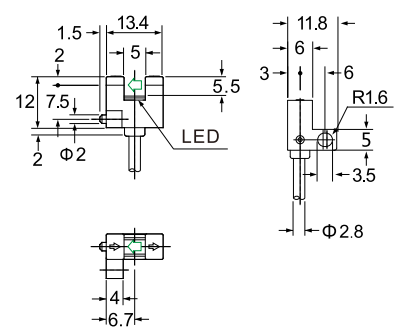
### K Shape



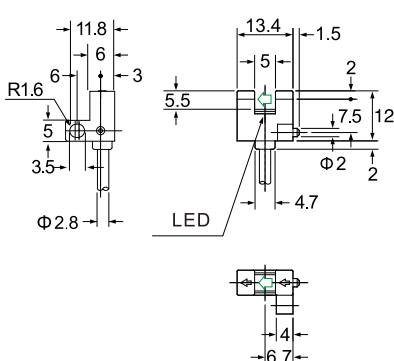
### L Shape



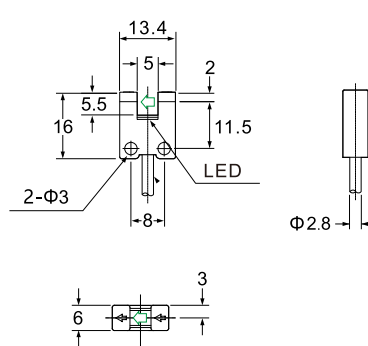
### F Shape



### R Shape



### U Shape



## Guidance

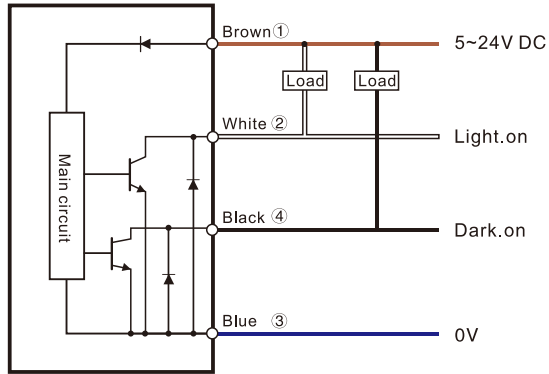
### Slot type sensors

- Micro slot type
- Slot type
- Wide slot type
- Label detection

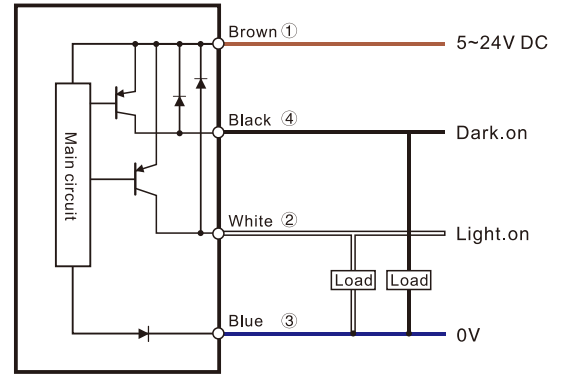
# Micro Slot Type

## Circuit diagram

NPN



PNP



Fiber Optic

Slot Sensors

Photoelectric

Laser

Proximity

Displacement

Magnetic

Contact

Area

Ultrasonic

Vision

Vibration

Temperature

Annexes

Guidance







Slot type sensors

Micro slot type

Slot type

Wide slot type

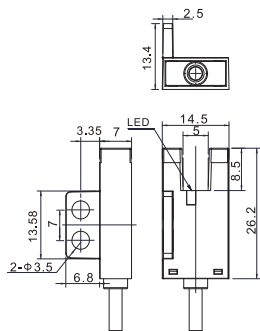
Label detection

|                         |   |   |   |  |   |   |                       |
|-------------------------|---|---|---|--|---|---|-----------------------|
| Appearance              |  |  |  |  |  |  |                       |
| Shape                   | F Shape   | T Shape   | R Shape   | L Shape  | K Shape   | Y Shape   |                       |
| Sensing distance        | 5mm (Slot width)  |   |   |  |   |   |                       |
| Standard sensing object | Opaque objects (Size: 1.2*1.8mm)  |   |   |  |   |   |                       |
| Repeat accuracy         | < 0.03mm  |   |   |  |   |   |                       |
| Output type             | NPN or PNP open-collector   |   |   |  |   |   |                       |
| Switch type             | Selectable L.on/D.on  |   |   |  |   |   |                       |
| Indicator               | Red LED   |   |   |  |   |   |                       |
| Response frequency      | 3KHz  |   |   |  |   |   |                       |
| Response time           | ≤0.3ms  |   |   |  |   |   |                       |
| Light source            | Infrared LED (940nm)  |   |   |  |   |   |                       |
| Operating voltage       | 5~24V DC  |   |   |  |   |   |                       |
| Voltage drop            | < 1.5V (load current 100mA, 2m cable length)                                      |   |   |  |   |   |                       |
| Current consumption     | < 20mA  |   |   |  |   |   |                       |
| Protective circuit      | Surge protection, Reverse polarity protection                                     |   |   |  |   |   |                       |
| Ambient temperature     | Operation: -25°C~+55°C, Storage: -30°C~+80°C, no freezing                         |   |   |  |   |   |                       |
| Ambient humidity        | Operation: 5%~85%, Storage: 5%~95%, no condensation                               |   |   |  |   |   |                       |
| Ambient brightness      | Incandescent lamp ≤1000Lux  |   |   |  |   |   |                       |
| Degree of protection    | IP50  |   |   |  |   |   |                       |
| Material                | PC  |   |   |  |   |   |                       |
| Connection method       | 2M 4core cable  |   |   |  |   |   |                       |
| NPN                     | Light on when objects are detected  | SF-302N-W   | ST-303N-W <b>HOT</b>  | SR-304N-W  | SL-305N-W <b>HOT</b>  | SK-306N-W   | SY-307N-W <b>HOT</b>  |
|                         | Light off when objects are detected   | SF-302NA-W  | ST-303NA-W <b>HOT</b>   | SR-304NA-W   | SL-305NA-W <b>HOT</b>   | SK-306NA-W  | SY-307NA-W <b>HOT</b> |
| PNP                     | Light on when objects are detected  | SF-302P-W   | ST-303P-W   | SR-304P-W  | SL-305P-W   | SK-306P-W   | SY-307P-W             |
|                         | Light off when objects are detected   | SF-302PA-W  | ST-303PA-W  | SR-304PA-W   | SL-305PA-W  | SK-306PA-W  | SY-307PA-W            |

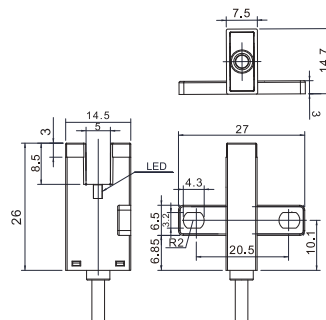
## Dimensions

Unit: mm

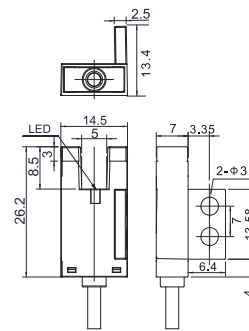
### F Shape



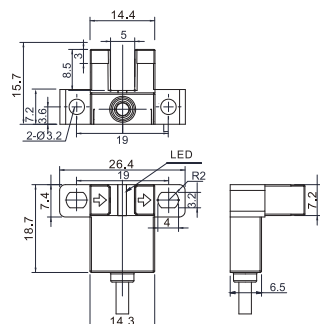
### T Shape



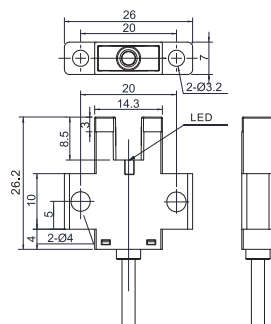
### R Shape



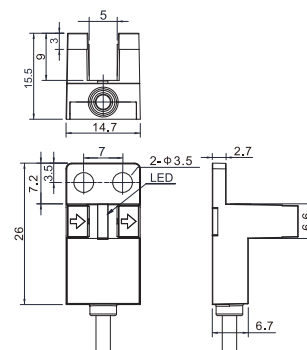
### L Shape



### K Shape



### Y Shape



- Fiber Optic
- Slot Sensors
- Photoelectric
- Laser
- Proximity
- Displacement
- Magnetic
- Contact
- Area
- Ultrasonic
- Vision
- Vibration
- Temperature
- Annexes

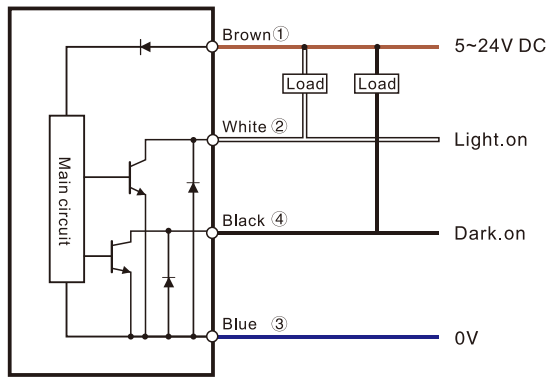
## Guidance

- Slot type sensors
- Micro slot type
- Slot type
- Wide slot type
- Label detection

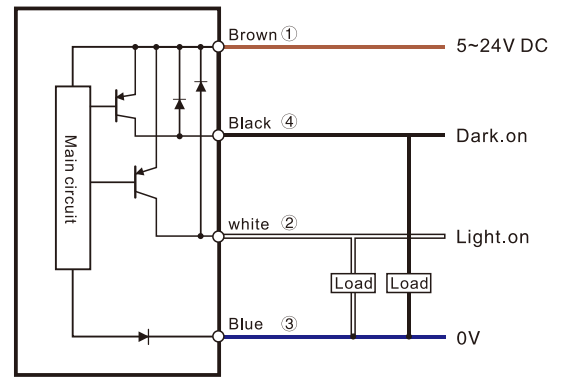
# Slot Type

## Circuit diagram

NPN



PNP



Fiber Optic

Slot Sensors

Photoelectric

Laser

Proximity

Displacement

Magnetic

Contact

Area

Ultrasonic

Vision

Vibration

Temperature

Annexes

Guidance







Slot type sensors

Mirco slot type

Slot type

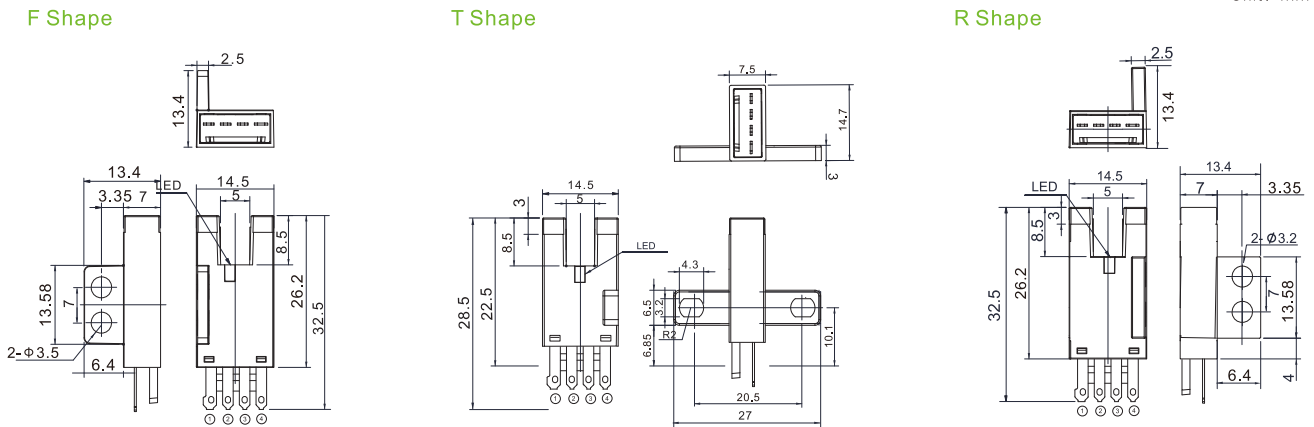
Wide slot type

Label detection

| Appearance                                 |     |  |  |  |  |  |
|--|--|---|---|--|---|---|
| Shape                                      | F Shape  | T Shape   | R Shape   | L Shape  | K Shape   | Y Shape   |
| Sensing distance                           | 5mm (Slot width)   |   |   |  |   |   |
| Standard sensing objects                   | Opaque objects (Size:1.2*1.8mm)  |   |   |  |   |   |
| Repeat accuracy                            | < 0.03mm   |   |   |  |   |   |
| Output type                                | NPN or PNP open-collector  |   |   |  |   |   |
| Switch type                                | Selectable L.on/D.on   |   |   |  |   |   |
| Indicator                                  | Red LED  |   |   |  |   |   |
| Response frequency                         | 3KHz   |   |   |  |   |   |
| Response time                              | ≤0.3ms   |   |   |  |   |   |
| Light source                               | Infrared LED(940nm)  |   |   |  |   |   |
| Operating voltage                          | 5~24V DC   |   |   |  |   |   |
| Voltage drop                               | 0.2V or less (load current 10mA), 1.5V or less (load current 100mA)                  |   |   |  |   |   |
| Current consumption                        | <20mA  |   |   |  |   |   |
| Protective circuit                         | Surge protection , Reverse polarity protection                                       |   |   |  |   |   |
| Ambient temperature                        | Operation: -25°C~+55°C, Storage: -30°C~+80°C, no freezing                            |   |   |  |   |   |
| Ambient humidity                           | Operation: 5%~85%, Storage: 5%~95%, no condensation                                  |   |   |  |   |   |
| Ambient brightness                         | Incandescent lamp ≤1000Lux   |   |   |  |   |   |
| Withstand voltage                          | AC, 1000V 1 minute between all supply terminals connected to the housing             |   |   |  |   |   |
| Vibration resistance                       | 10 to 55 Hz with 1.5mm amplitude for 2 hours each in X, Y, and Z directions          |   |   |  |   |   |
| Insulation resistance                      | Between all supply terminals connected with the housing, 20MΩ or more (based DC250V) |   |   |  |   |   |
| Degree of protection                       | IP50   |   |   |  |   |   |
| Material                                   | PC   |   |   |  |   |   |
| Connection method                          | Connector  |   |   |  |   |   |
| NPN<br>Light on when objects are detected  | SF-302N-E  | ST-303N-E <span style="color:red">HOT</span>                                      | SR-304N-E   | SL-305N-E <span style="color:red">HOT</span>                                       | SK-306N-E   | SY-307N-E <span style="color:red">HOT</span>  |
| NPN<br>Light off when objects are detected | SF-302NA-E   | ST-303NA-E <span style="color:red">HOT</span>                                     | SR-304NA-E  | SL-305NA-E <span style="color:red">HOT</span>                                      | SK-306NA-E  | SY-307NA-E <span style="color:red">HOT</span>                                       |
| PNP<br>Light on when objects are detected  | SF-302P-E  | ST-303P-E   | SR-304P-E   | SL-305P-E  | SK-306P-E   | SY-307P-E   |
| PNP<br>Light off when objects are detected | SF-302PA-E   | ST-303PA-E  | SR-304PA-E  | SL-305PA-E   | SK-306PA-E  | SY-307PA-E  |

Cable: ME-1007 (P:M-08)

## Dimensions



- Fiber Optic
- Slot Sensors
- Photoelectric
- Laser
- Proximity
- Displacement
- Magnetic
- Contact
- Area
- Ultrasonic
- Vision
- Vibration
- Temperature
- Annexes

### Guidance

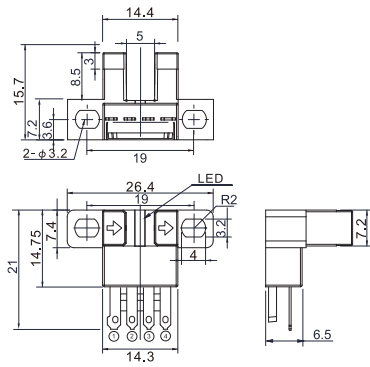
- Slot type sensors
- Micro slot type
- Slot type
- Wide slot type
- Label detection



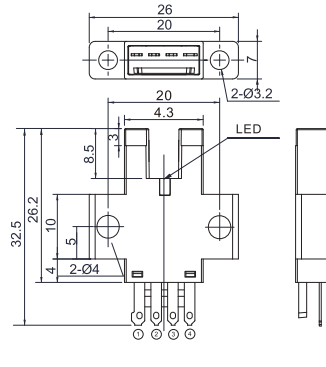
# Slot Type

## Dimensions

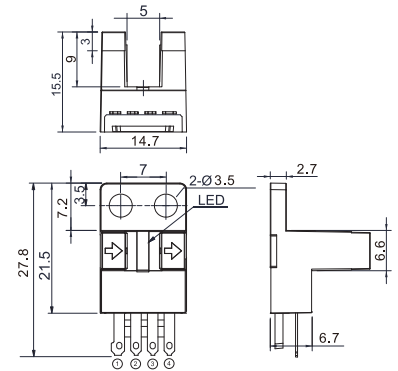
L Shape



K Shape

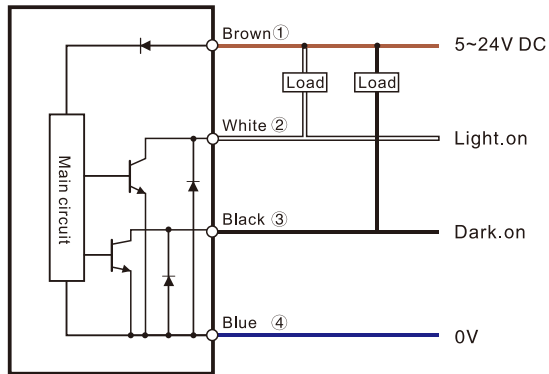


Y Shape

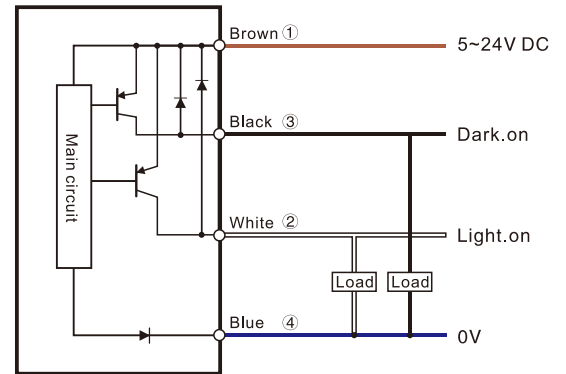


## Circuit diagram

NPN



PNP



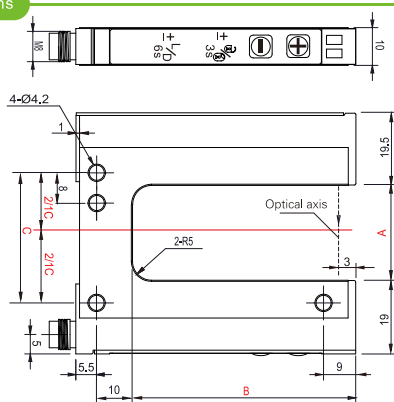
- Fiber Optic
- Slot Sensors
- Photoelectric
- Laser
- Proximity
- Displacement
- Magnetic
- Contact
- Area
- Ultrasonic
- Vision
- Vibration
- Temperature
- Annexes
- Guidance
- Slot type sensors
- Mirco slot type
- Slot type
- Wide slot type
- Label detection



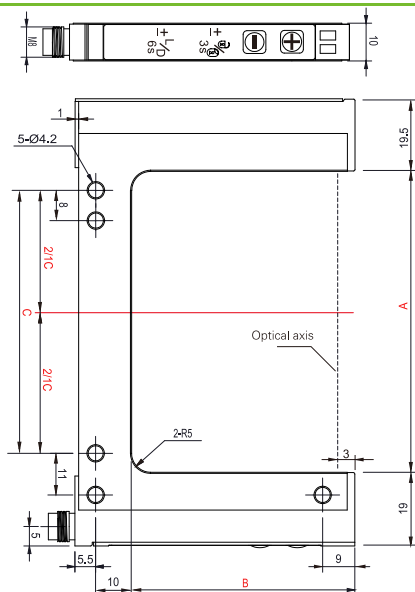
### Appearance

|                              |  |                     |                     |                     |
|------------------------------|--|---------------------|---------------------|---------------------|
| Slot depth                   | 42mm   | 59mm                | 59mm                | 59mm                |
| Slot width                   | 30mm   | 50mm                | 80mm                | 120mm               |
| Sensing distance             | 30mm   | 50mm                | 80mm                | 120mm               |
| Diameter of the min detector | 0,05mm   |                     |                     |                     |
| Output mode                  | NPN & PNP dual output  |                     |                     |                     |
| Switch mode                  | Selectable L.on/D.on   |                     |                     |                     |
| Light source                 | Laser (670nm) modulated light, class1  |                     |                     |                     |
| Ambient brightness           | ≤ 10000Lux   |                     |                     |                     |
| Operating voltage            | 12~24V DC ± 10%  |                     |                     |                     |
| No-load current              | 40mA   |                     |                     |                     |
| Load current                 | 100mA  |                     |                     |                     |
| Residual voltage             | < 2V@1L=100mA  |                     |                     |                     |
| Response frequency           | 10KHz  |                     |                     |                     |
| Protective circuit           | Reverse polarity protection, Output short circuit protection, Interference suppression |                     |                     |                     |
| Ambient temperature          | -20°C~+50°C  |                     |                     |                     |
| Storage temperature          | -30°C~+80°C  |                     |                     |                     |
| Degree of protection         | IP65   |                     |                     |                     |
| Shell material               | Al, glass  |                     |                     |                     |
| Connection method            | M8 4pin plug   |                     |                     |                     |
| Weight                       | 55g to 128g  |                     |                     |                     |
| Model No.                    | <b>KLM06-0304NP</b>  | <b>KLM06-0506NP</b> | <b>KLM06-0806NP</b> | <b>KLM06-1206NP</b> |

### Dimensions



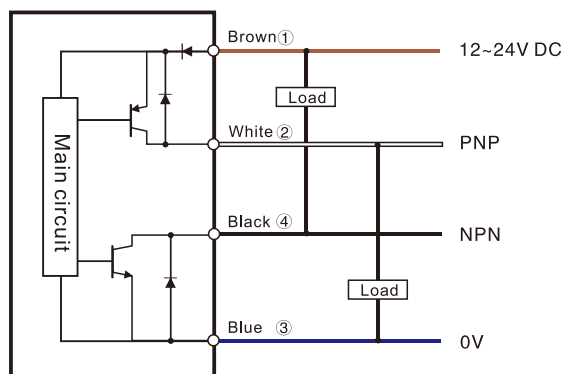
| Model number | A  | B  | C  |
|--------------|----|----|----|
| KLM06-0304NP | 30 | 42 | 42 |



| Model number | A   | B  | C   |
|--------------|-----|----|-----|
| KLM06-0506NP | 50  | 59 | 40  |
| KLM06-0806NP | 80  | 59 | 70  |
| KLM06-1206NP | 120 | 59 | 110 |

### Circuit diagram

#### NPN/PNP



# Wide Slot Type

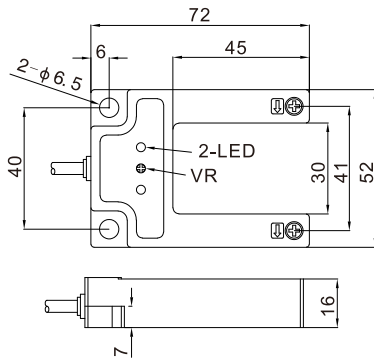
## KIM Series



|                      |   |
|----------------------|---|
| Appearance           |   |
| Detection method     | Thru-beam   |
| Sensing distance     | 30mm  |
| Output mode          | NPN and PNP open collector  |
| Switch mode          | Selectable L.on/D.on  |
| Standard test object | Opaque objects diameter>2mm   |
| Output instructions  | Yellow LED  |
| Response time        | ≤1ms  |
| Light source         | Infrared LED (modulation)   |
| Operating voltage    | 12~24V DC   |
| Residual voltage     | ≤2.5V DC  |
| Current consumption  | ≤15mA   |
| Load current         | ≤200mA  |
| Protective circuit   | Reverse polarity protection, short circuit protection                       |
| Ambient temperature  | -15°C~+55°C   |
| Withstand voltage    | 1000V/AC 50/60Hz 1 minute   |
| Shock resistance     | 10 to 50 Hz with 1.5mm amplitude for 2 hours each in X, Y, and Z directions |
| Impact resistance    | 500m/s <sup>2</sup> (50G), 3 times in XYZ direction                         |
| Dielectric strength  | ≥50MΩ/500V DC   |
| Protection degree    | IP60  |
| Material method      | Aluminum alloy  |
| Connection           | 2M 4core cable  |
| Model No.            | NPN D.on/L.on <b>KIM30-0304N</b><br>PNP D.on/L.on <b>KIM30-0304P</b>        |

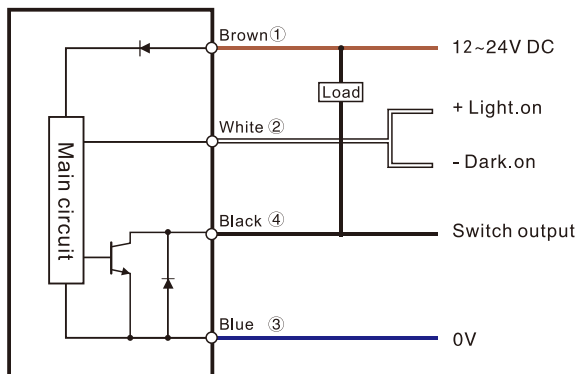
### Dimensions

Unit: mm

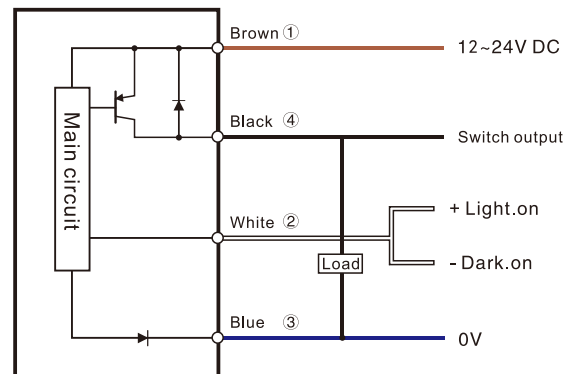


### Circuit diagram

#### NPN



#### PNP



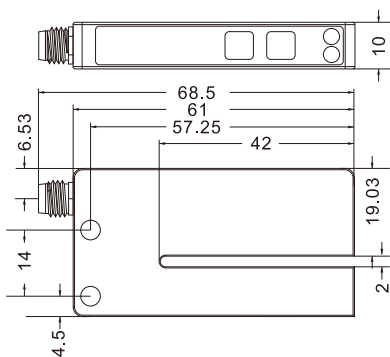


#### Appearance

|                    |  |
|--------------------|--|
| Sensing distance   | 2mm  |
| Slot depth         | 42mm   |
| Slot width         | 3mm  |
| Light source       | Infrared light (940nm)   |
| Switch mode        | Selectable L.on/D.on   |
| Operating voltage  | 12~24V DC $\pm$ 10%  |
| No-load current    | 40mA   |
| Load current       | 100mA  |
| Response frequency | 10KHz  |
| Response time      | $\leq$ 20 $\mu$ s  |
| Protection circuit | Reverse polarity protection, Output short circuit protection; Interference suppression |
| Protection degree  | IP65   |
| Material           | Aluminum   |
| Connection method  | M8 4-pin connector   |
| Weight             | 35g  |
| Output method      | NPN/PNP  |
| Ambient brightness | Sunlight $\leq$ 10000Lux   |
| Model No.          | <b>KIM07-0204NP</b>  |

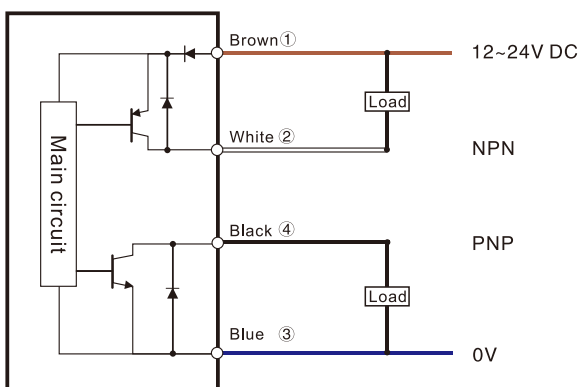
#### Dimensions

Unit: mm



#### Circuit diagram

#### NPN/PNP



Fiber Optic

Slot Sensors

Photoelectric

Laser

Proximity

Displacement

Magnetic

Contact

Area

Ultrasonic

Vision

Vibration

Temperature

Annexes

Guidance

Slot type sensors

Micro slot type

Slot type

Wide slot type

Label detection

# Label Detection

## KUM Series

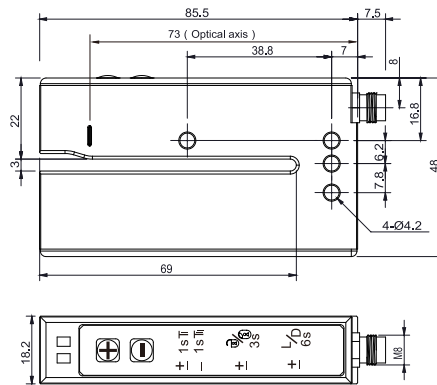
Slot Type



Appearance

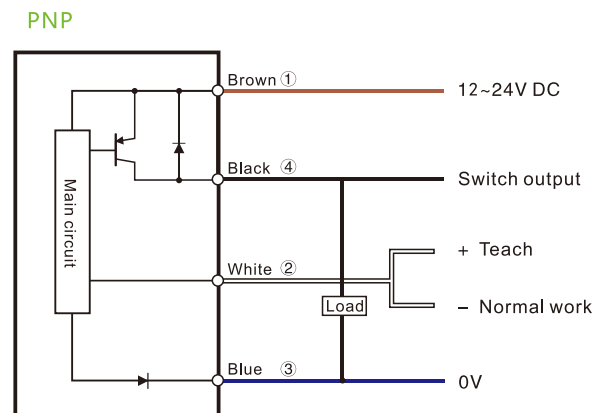
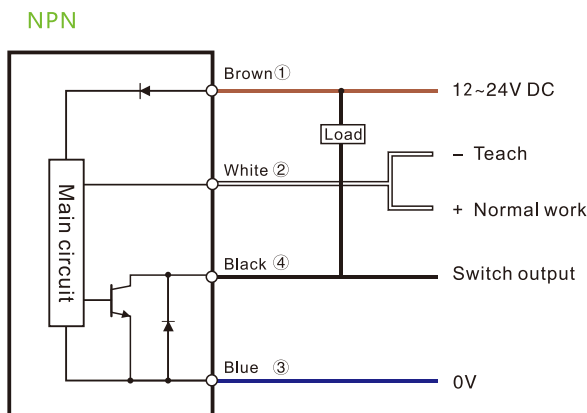
|                       |   |
|-----------------------|---|
| Sensing distance      | 3mm   |
| Min length of label   | 2mm   |
| Min gap of label      | 2mm   |
| Slot depth            | 69mm  |
| Slot width            | 3mm   |
| Emitter               | Ultrasonic  |
| Max detection speed   | 180m/min  |
| Repeat accuracy       | ± 0.20mm(120m/min)  |
| Switch mode           | Selectable L.on/D.on                                      |
| Operating voltage     | 12~24V DC ± 10%   |
| No-load current       | 45mA  |
| Load current          | 100mA   |
| Residual voltage      | < 2V@1L=100mA   |
| Response frequency    | 1500Hz  |
| Response time         | 300 μs  |
| Protection circuit    | Output short circuit protection; Interference suppression |
| Operating temperature | -5~+55°C  |
| Storage temperature   | -20~+70°C   |
| Degree of protection  | IP65  |
| Shell material        | Aluminum  |
| Connection method     | M8 4-pin connector  |
| Weight                | 130g  |
| Mode                  | NPN <b>KUM08-0307N</b><br>PNP <b>KUM08-0307P</b>          |

### Dimensions



Unit: mm

### Circuit diagram



Fiber Optic

Slot Sensors

Photoelectric

Laser

Proximity

Displacement

Magnetic

Contact

Area

Ultrasonic

Vision

Vibration

Temperature

Annexes

Guidance

Slot type sensors

Micro slot type

Slot type

Wide slot type

Label detection